

AS-603AL ANTENNA SWITCH

Manual Connection Cable



V. 1.0

AS-603AL

Automatic Antenna Switch 6x3

The AS-603AL is an automatic antenna switch for three radios and six antennas. It has internally two independent switches. One to select the radios and another to select the antennas. The operation is individual, which means that only the selected radio will have access to the antennas. Unused antennas are automatically grounded.

To facilitate the operation, the AS-603AL also has a third internal switch that switches the Send commands and the Com port to the selected Radio.

The AS-603AL supports communication with the following radios: Icom (CI-V), Kenwood (RS-232), Elecraft K3 (RS-232), Yaesu (RS-232) or any other Radio that uses one of these communication protocols.

Procedure for choosing radio:

1- First enter the mode of choice.

Connect the AS-603AL with the yellow push button corresponding to the chosen radio pressed.

Note the red SPLIT LED that should be flashing.

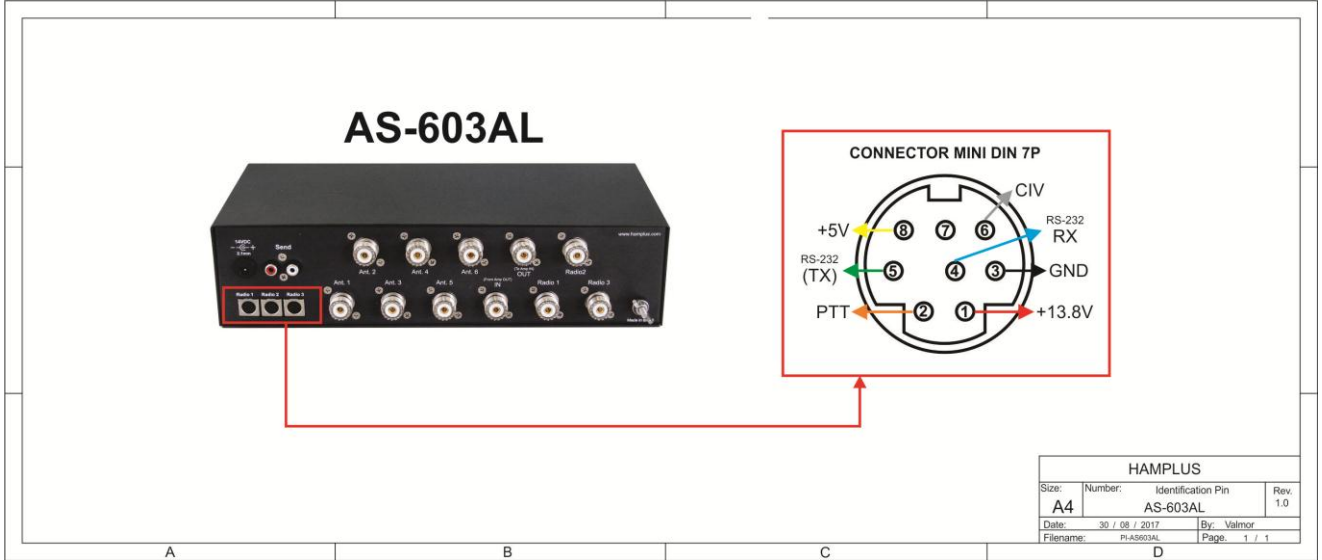
You are now in Choice mode.

2- Press the white push button corresponds to the radio model you are going to use

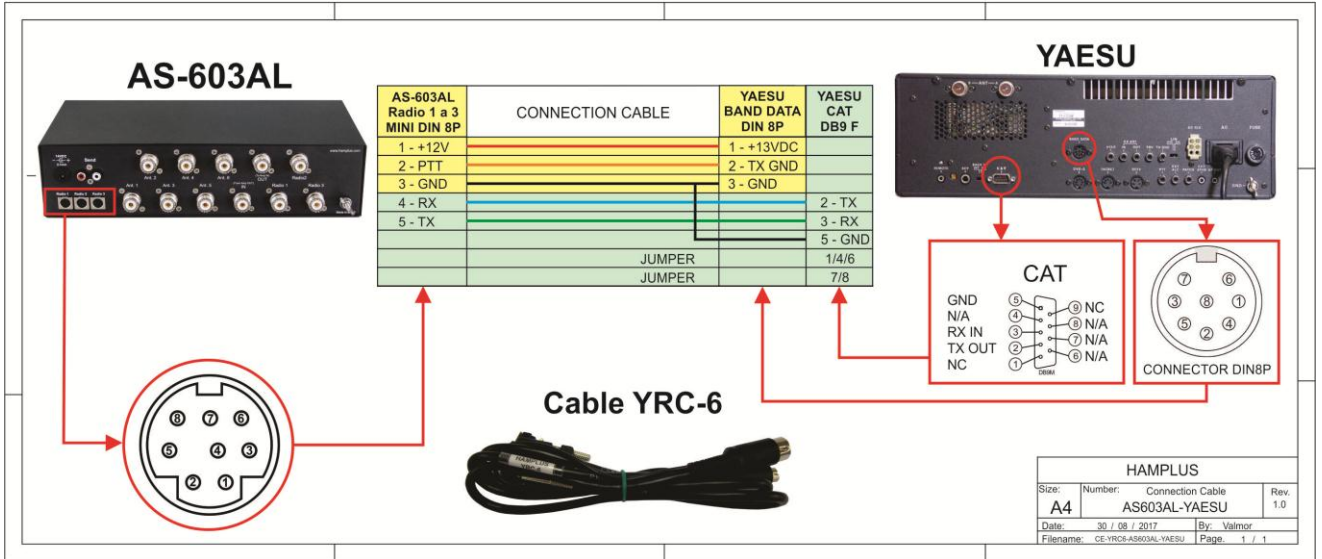
- A- **Push button 1** for Icom (CI-V) radios. **Baud rate 19200**
- B- **Push button 2** for Yaesu type FT-817, FT-857 and others. **Baud rate 4800**
- C- **Push button 3** for Yaesu type FT-1000 MP radios and others. **Baud rate 4800**
- D- **Push button 4** for Yaesu type FT-5000 radios and others. **Baud rate 4800**
- E- **Push button 5** for Kenwood, Elecraft, Flex Radio, and others. **Baud rate 4800**

The radio is now connected and the SPLIT LED has stopped blinking.

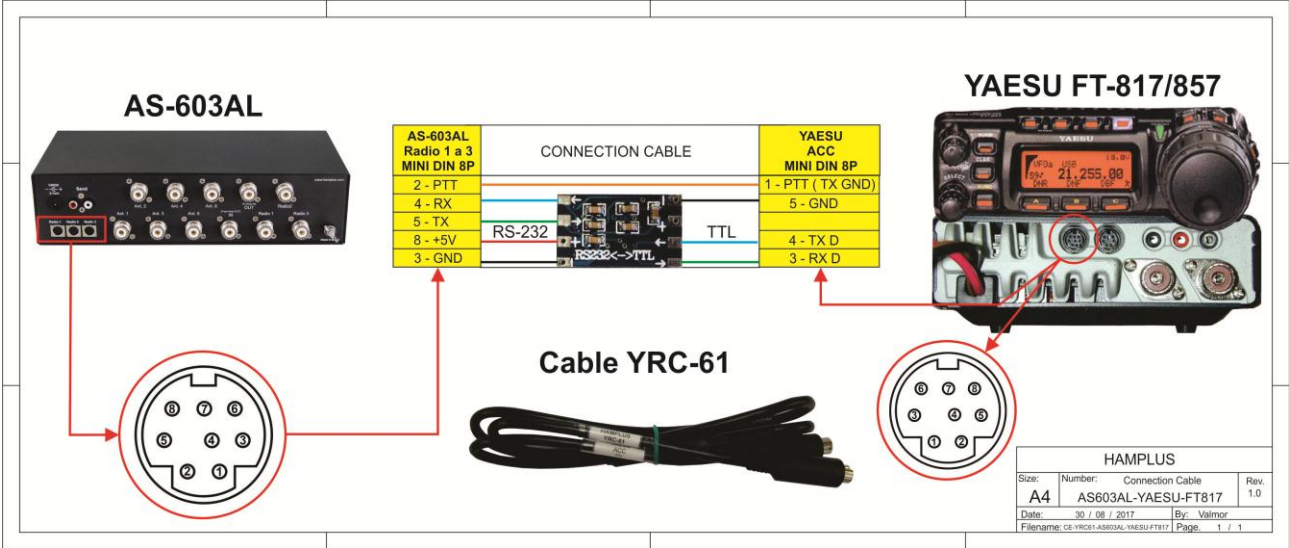
AS-603AL - IDENTIFICATION PIN



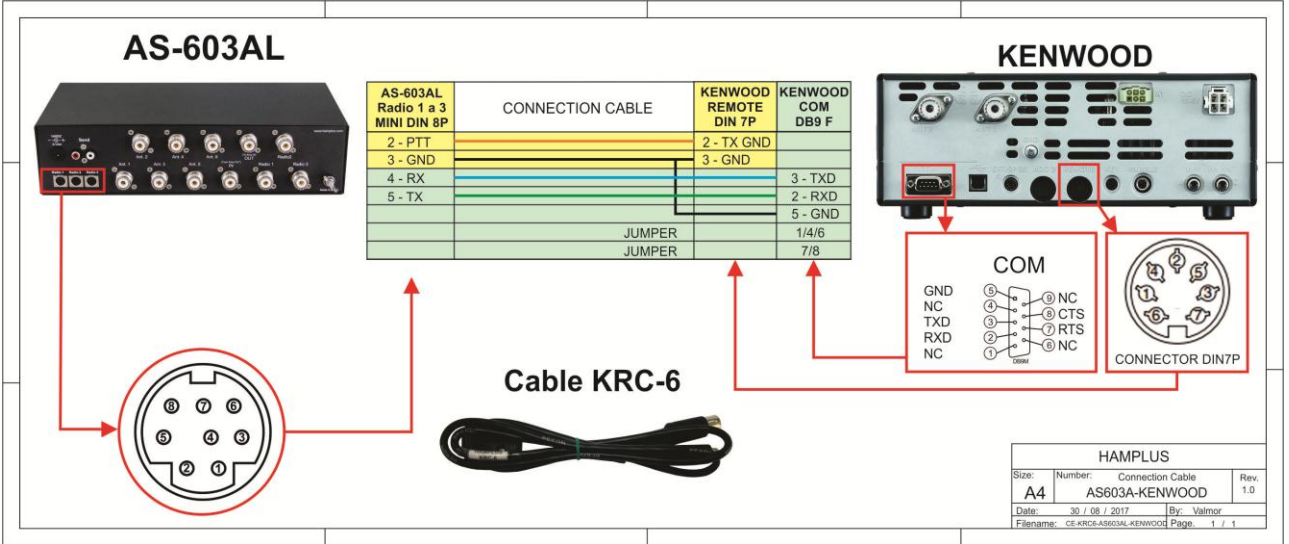
AS-603AL / YAESU Connection Cable



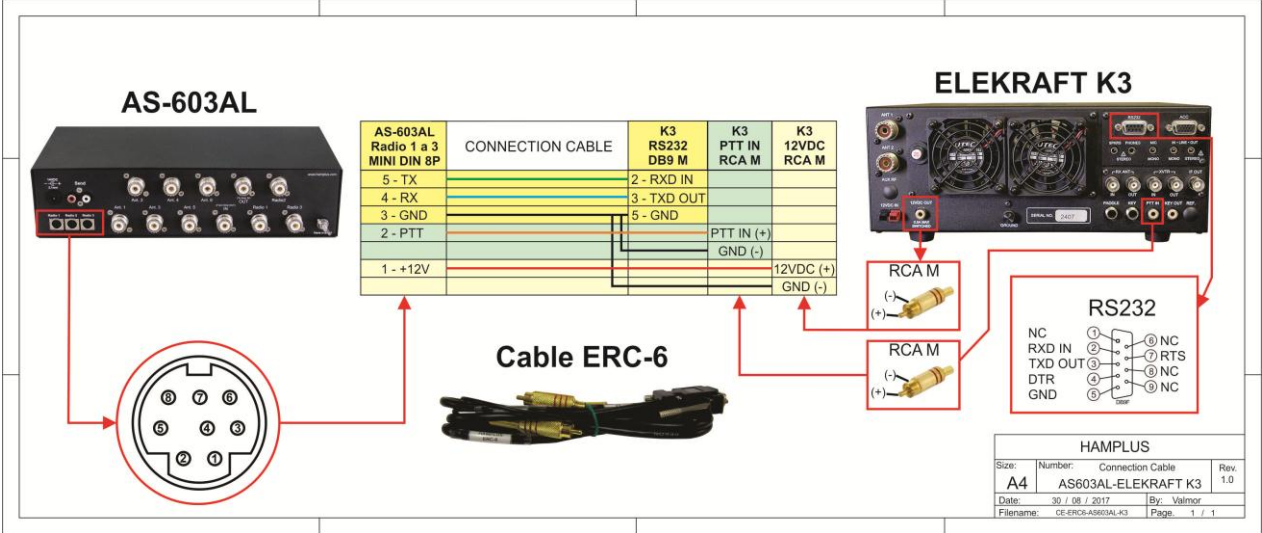
AS-603AL / YAESU-FT817 Connection Cable



AS-603AL / KENWOOD Connection Cable



AS-603AL / ELEKRAFT K3 Connection Cable



AS-603AL / ICOM Connection Cable

